

Marco Plessi

File: WMP_S100_alimentatore_multiplo.sch

Sheet: /

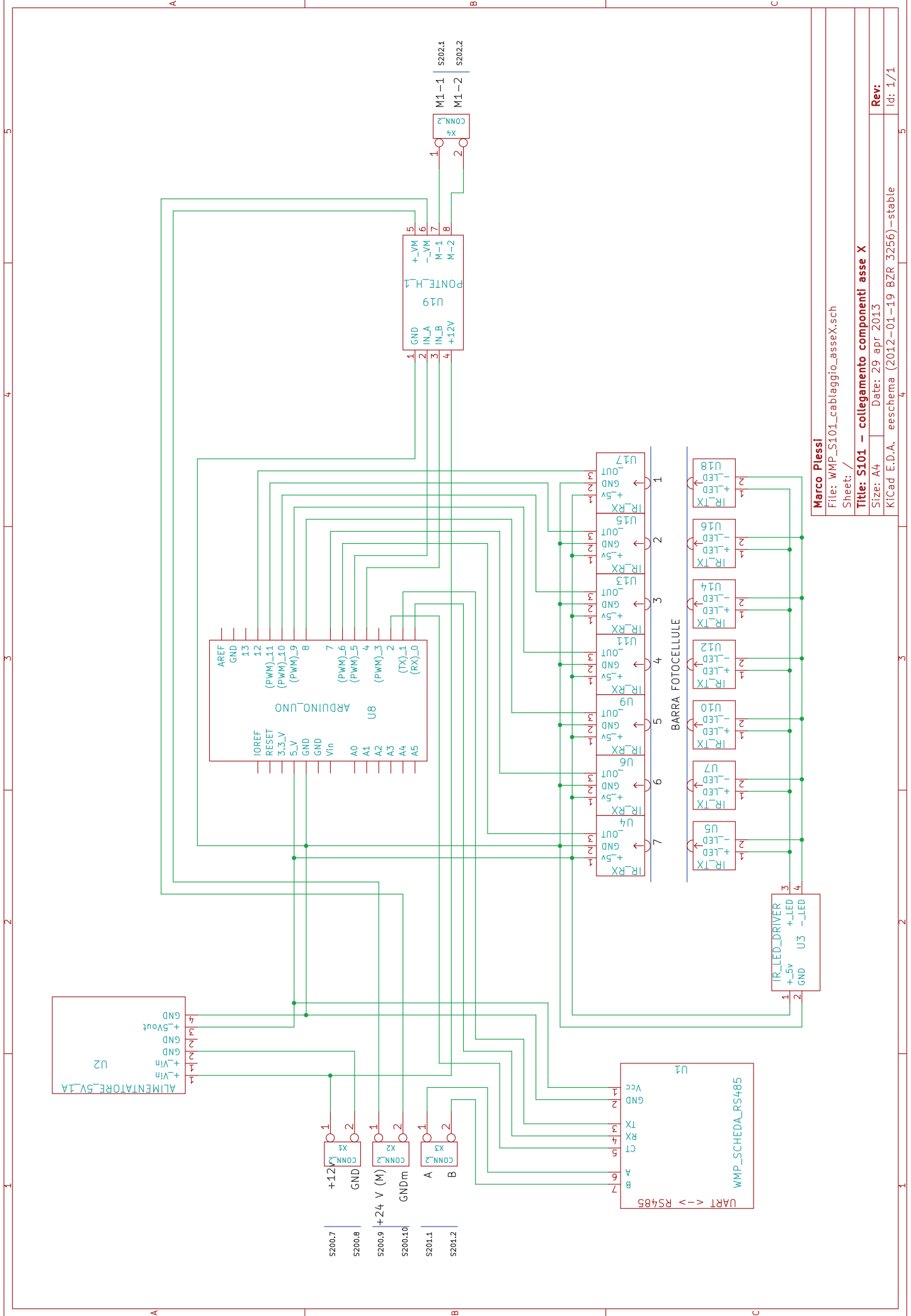
Title: S100 - Alimentatore multiplo

Size: A4 Date: 20 may 2013

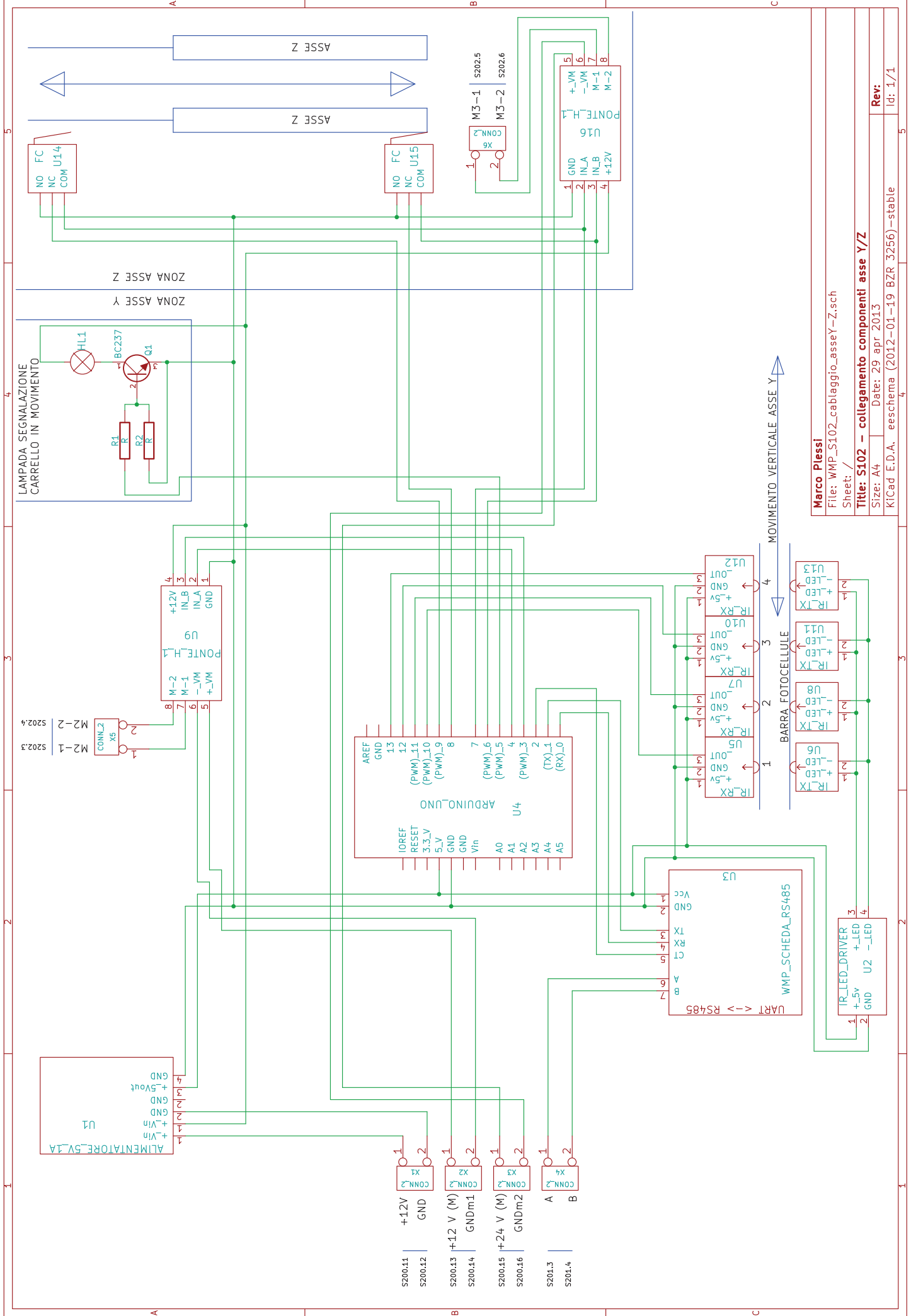
KiCad E.D.A. eeschema (2012-01-19 BZR 3256)-stable

Rev:

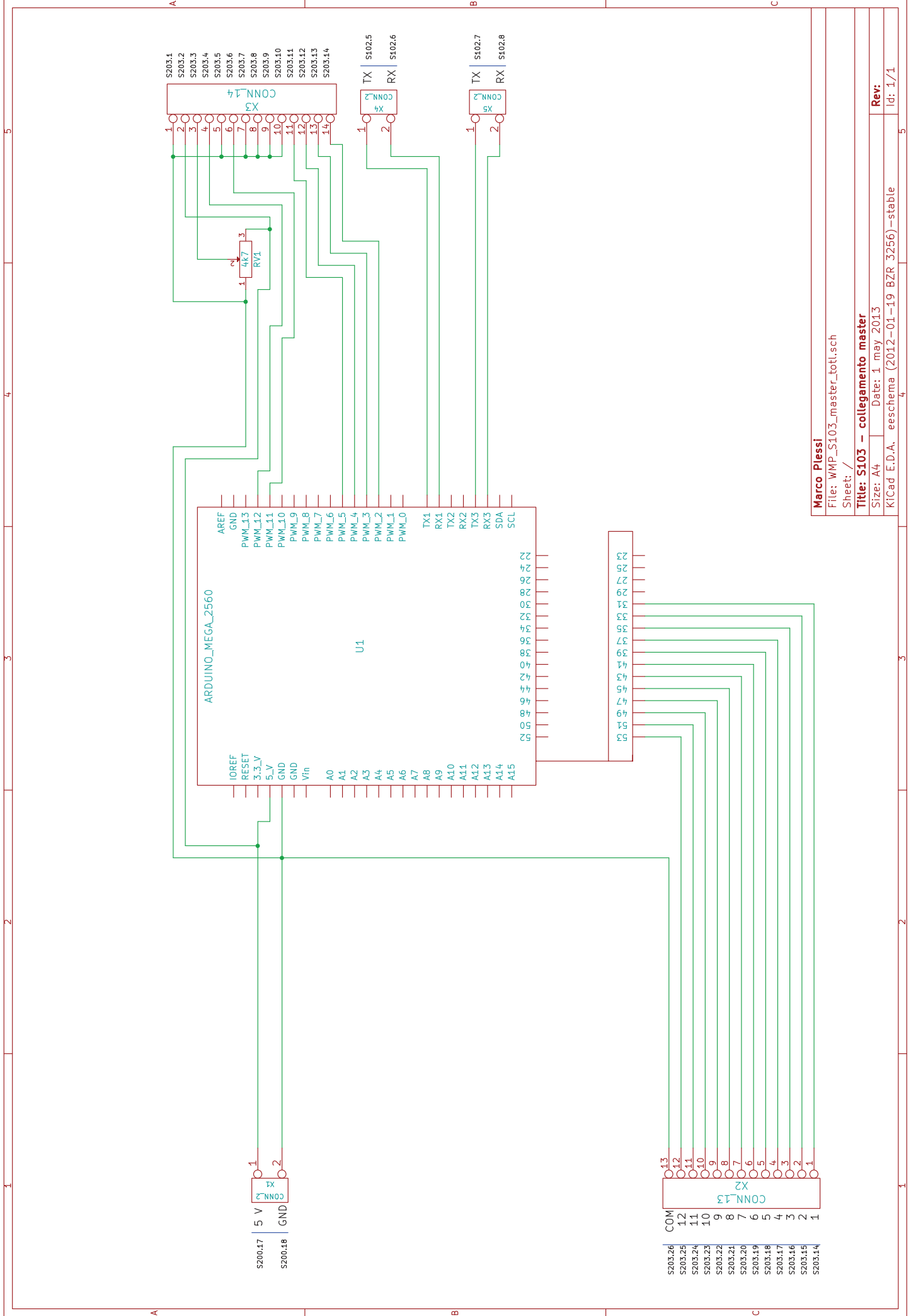
Id: 1/1



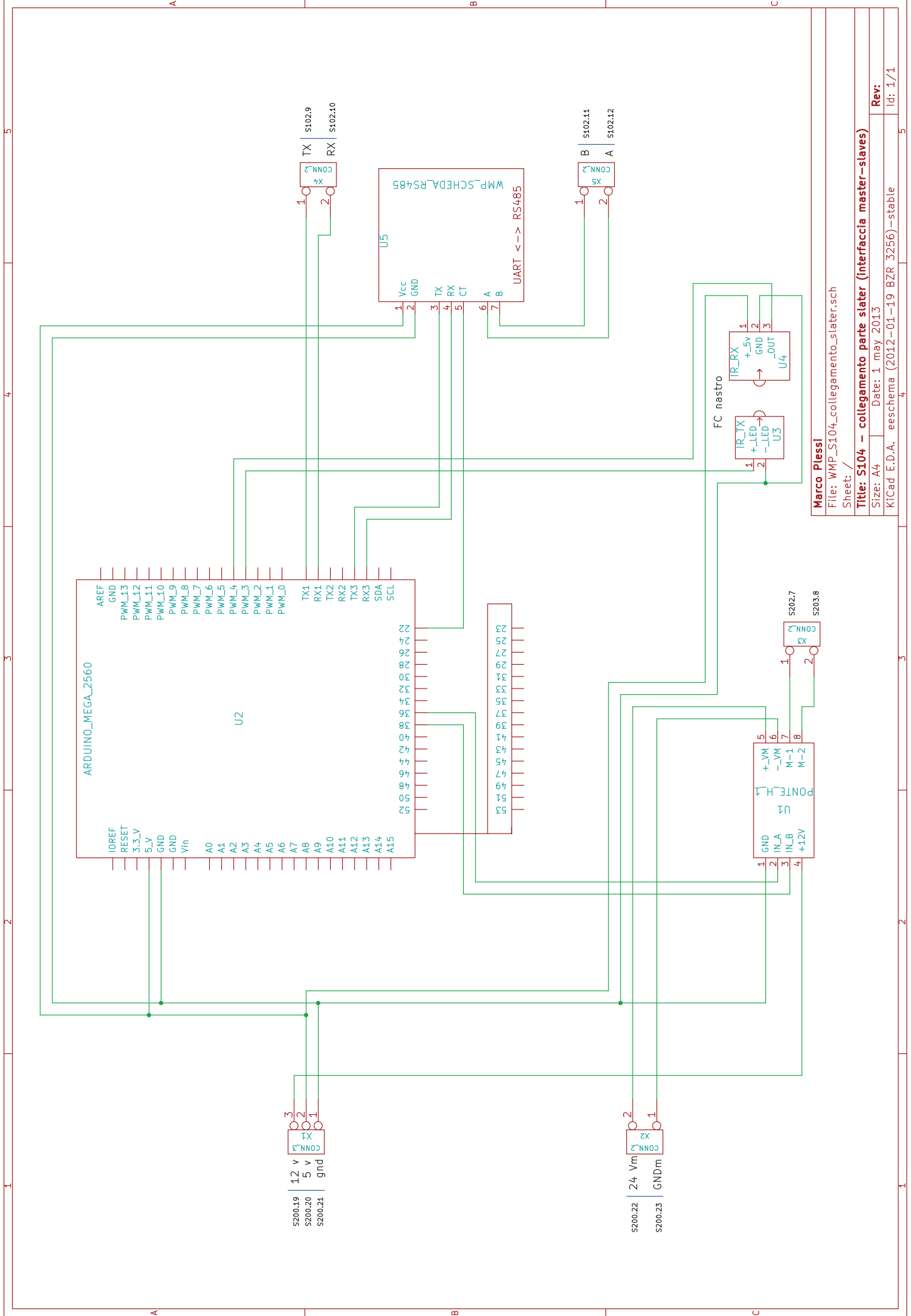
Marco Plessi
 File: WMP_S101_cablaggio_asseX.sch
 Sheet: /
Title: S101 - collegamento componenti asse X
 Size: A4 Date: 29 apr 2013
 KiCad E.D.A. eeschema (2012-01-19 BZR 3256)-stable
Rev:
 Id: 1/1



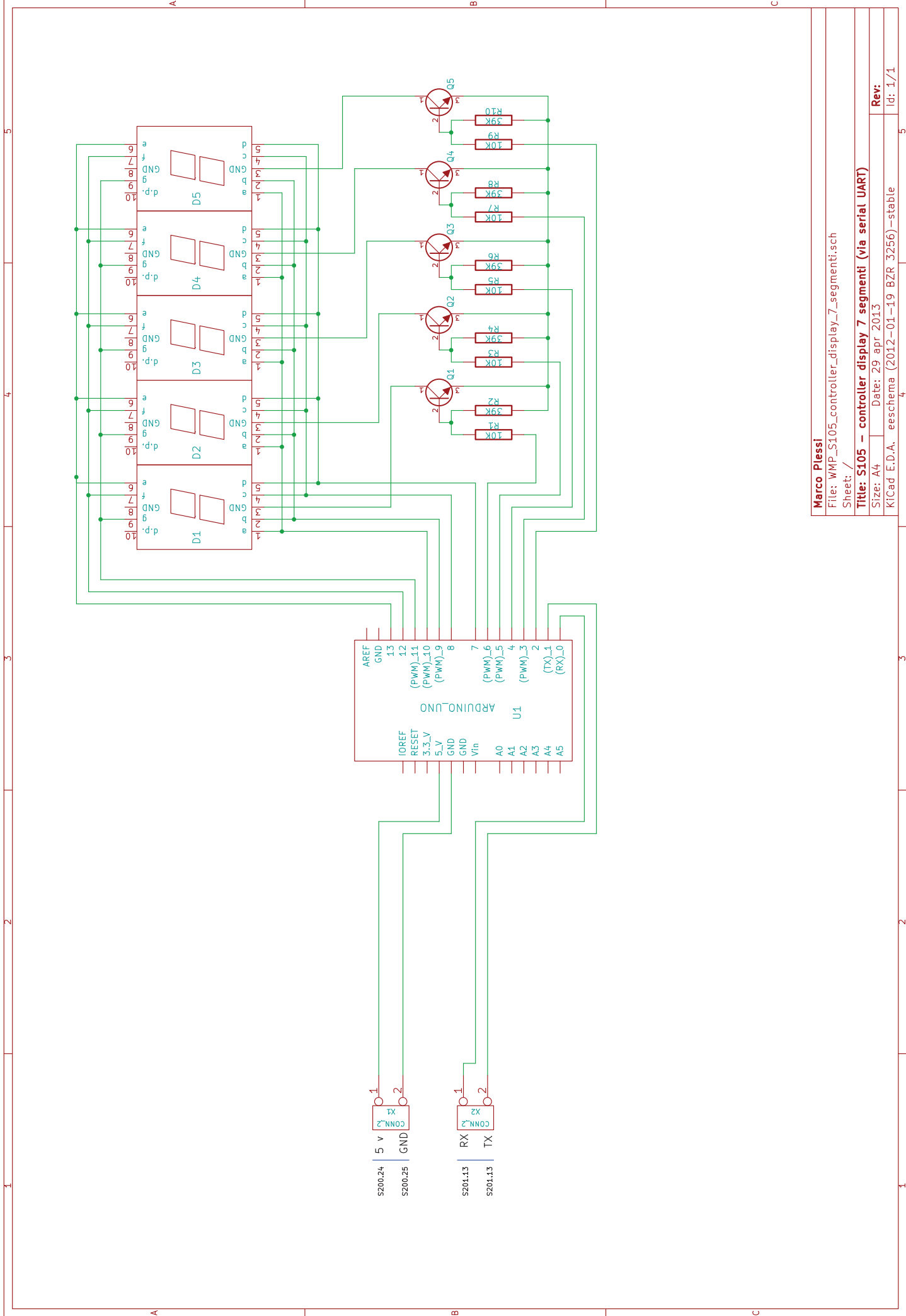
Marco Plessi
 File: WMP_S102_cablaggio_asseY-Z.sch
 Sheet: /
Title: S102 - collegamento componenti asse Y/Z
 Size: A4 Date: 29 apr 2013
 KiCad E.D.A. eeschema (2012-01-19 BZR 3256)--stable
Rev:
 Id: 1/1



Marco Plessi
 File: WMP_S103_master_toti.sch
 Sheet: /
Title: S103 - collegamento master
 Size: A4 Date: 1 may 2013
 KiCad E.D.A. eeschema (2012-01-19 BZR 3256)-stable
Rev:
 Id: 1/1



Marco Plessi
 File: WMP_S104_collegamento_slater.sch
 Sheet: /
Title: S104 - collegamento parte slater (interfaccia master-slaves)
 Size: A4 Date: 1 may 2013
 KiCad E.D.A. eeschema (2012-01-19 BZR 3256) - stable
Rev:
 Id: 1/1



Marco Plessi

File: WMP_S105_controller_display_7_segments1.sch

Sheet: /

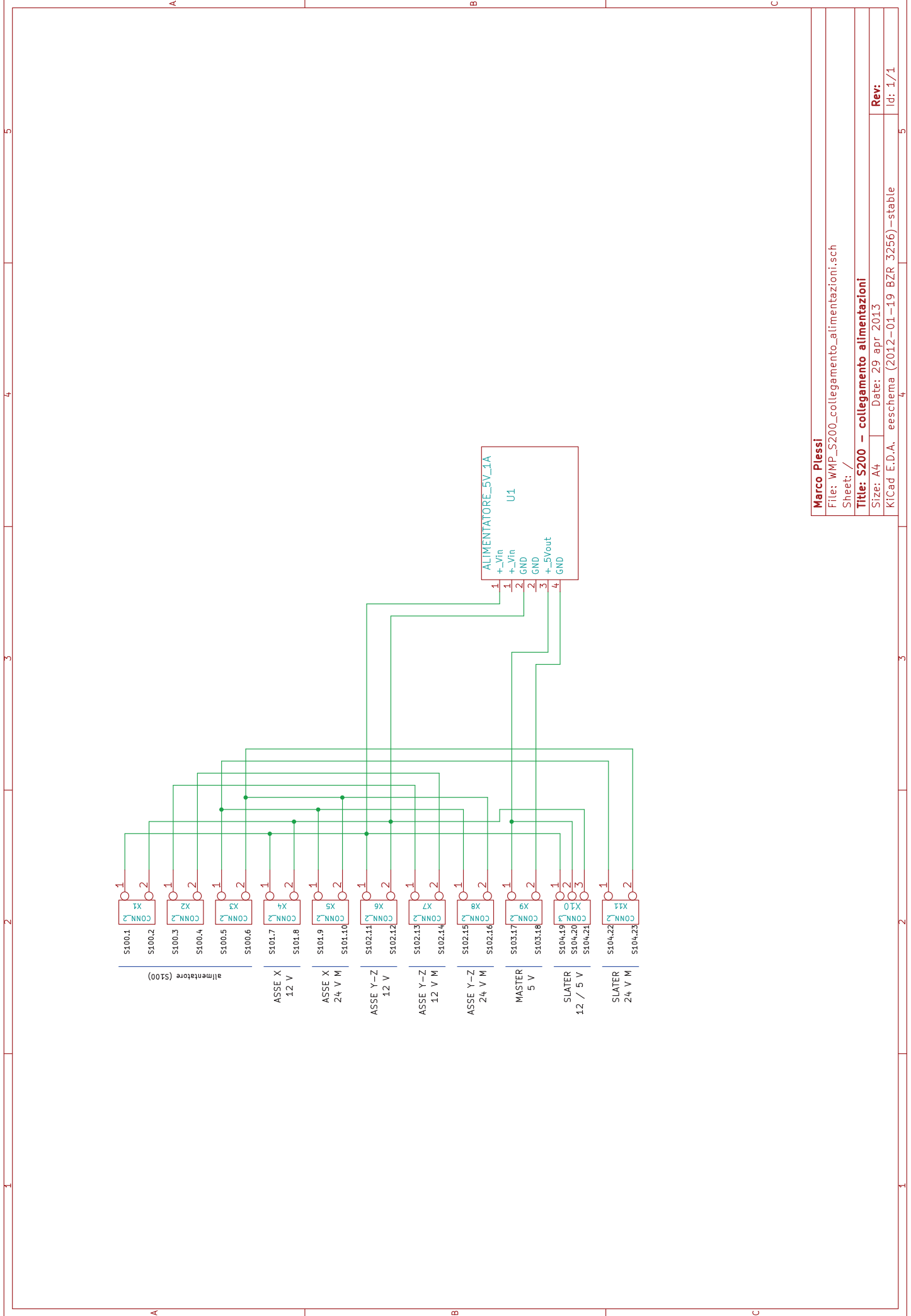
Title: S105 - controller display 7 segments (via serial UART)

Size: A4 Date: 29 apr 2013

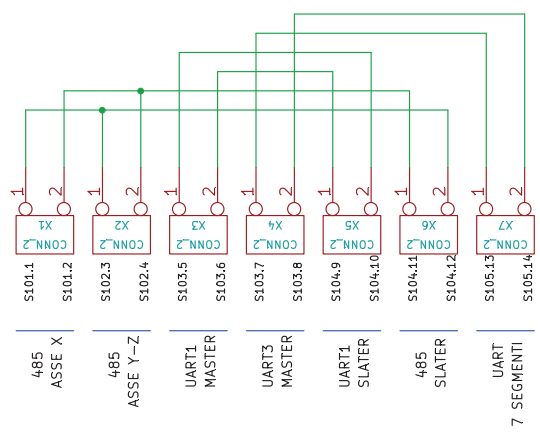
KiCad E.D.A. eeschema (2012-01-19 BZR 3256)--stable

Rev:

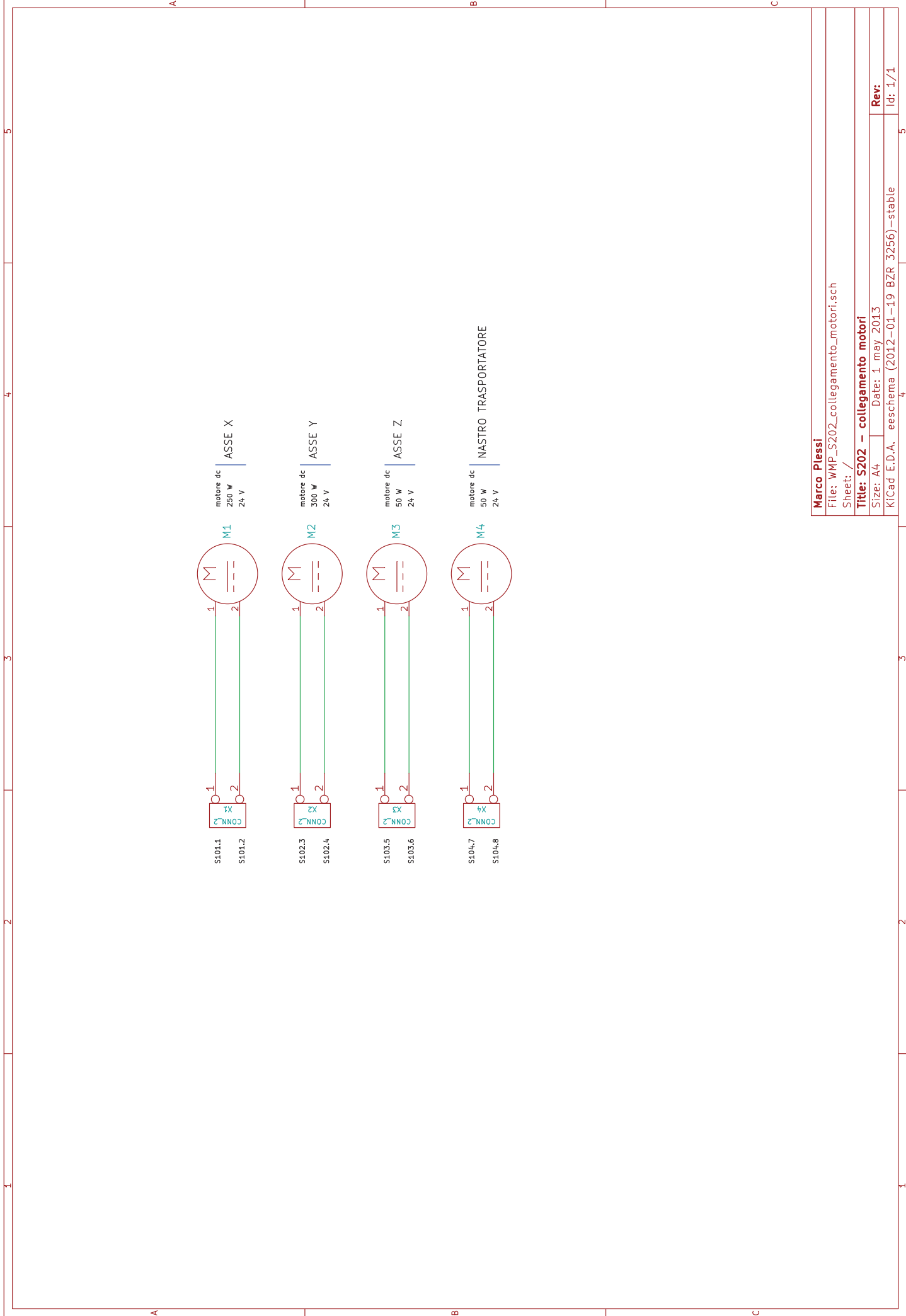
Id: 1/1



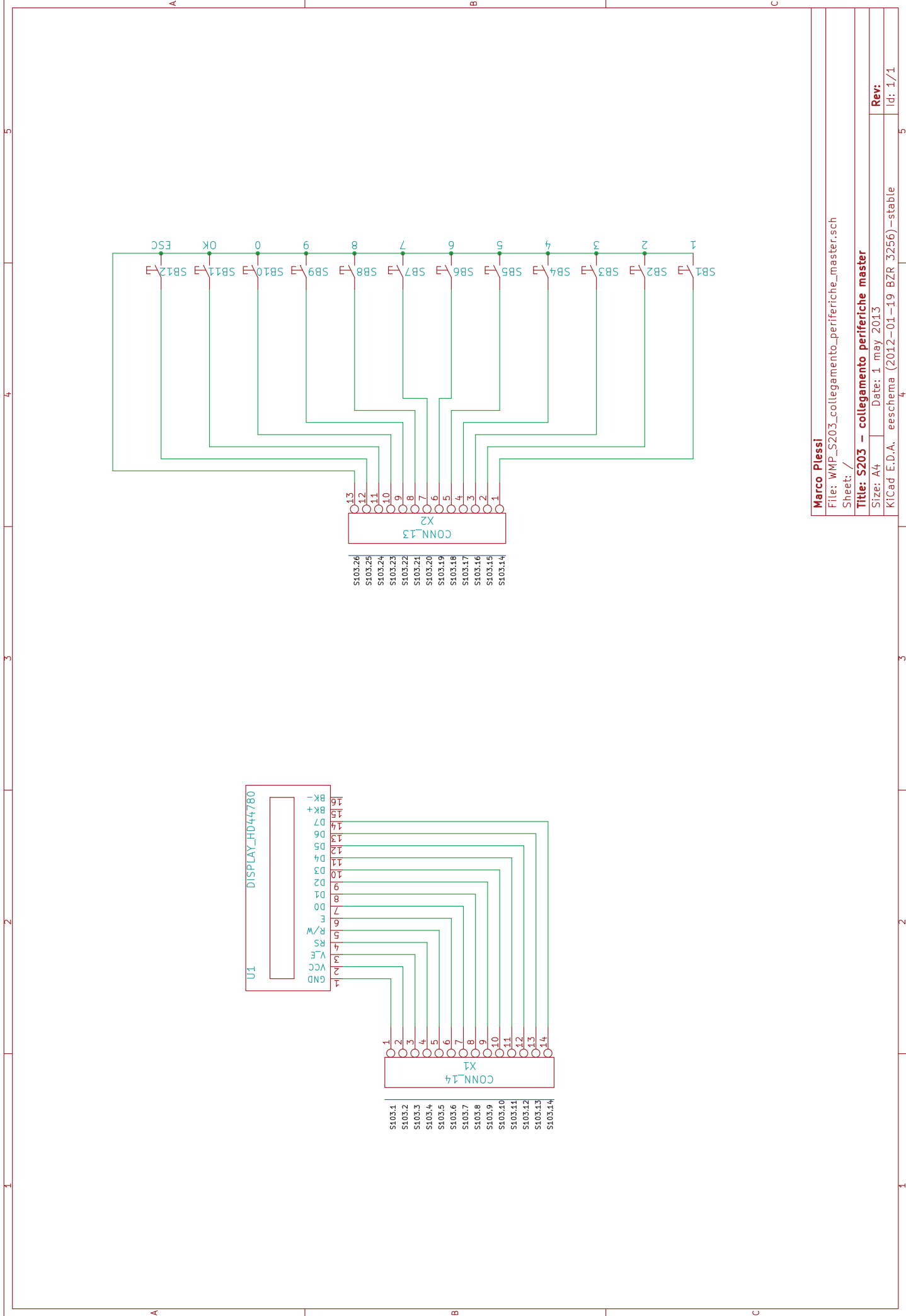
Marco Plessi
 File: WMP_S200_collegamento_alimentazioni.sch
 Sheet: /
Title: S200 - collegamento alimentazioni
 Size: A4 Date: 29 apr 2013
 KiCad E.D.A. eeschema (2012-01-19 BZR 3256)-stable
 Id: 1/1



File: WMP_S201_collegamento_reti_segnali.sch
 Sheet: /
Title: S201 - collegamento segnali (UART e RS485)
 Size: A4 Date: 1 may 2013
 KiCad E.D.A. eeschema (2012-01-19 BZR 3256) -stable
 Rev: Id: 1/1



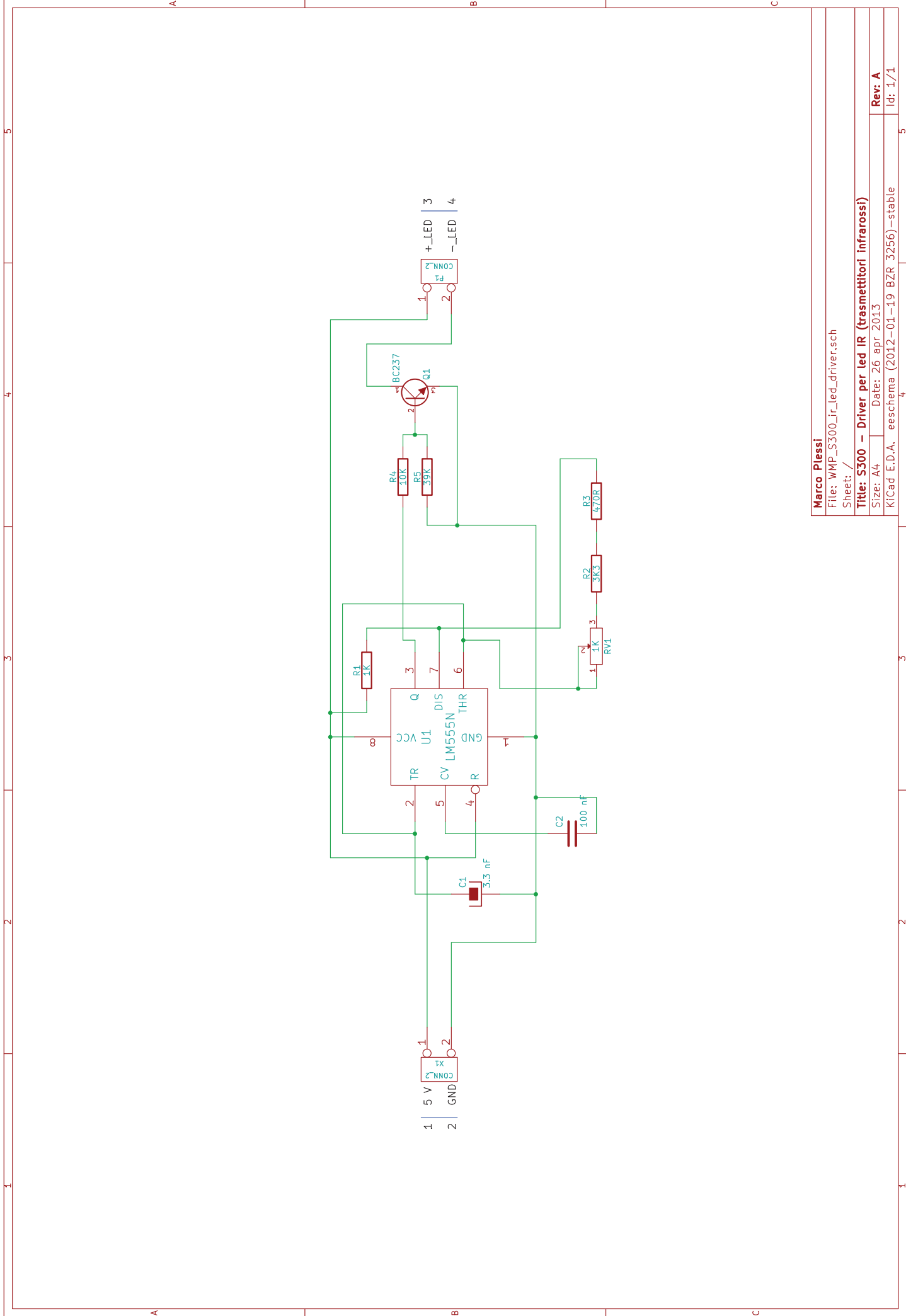
Marco Plessi
 File: WMP_S202_collegamento_motori.sch
 Sheet: /
Title: S202 - collegamento motori
 Size: A4 Date: 1 may 2013
 KiCad E.D.A. eeschema (2012-01-19 BZR 3256)-stable
 Id: 1/1



S403.1
S403.2
S403.3
S403.4
S403.5
S403.6
S403.7
S403.8
S403.9
S403.10
S403.11
S403.12
S403.13
S403.14

S403.26
S403.25
S403.24
S403.23
S403.22
S403.21
S403.20
S403.19
S403.18
S403.17
S403.16
S403.15
S403.14

Marco Plessi
File: WMP_S203_collegamento_periferiche_master.sch
Sheet: /
Title: S203 - collegamento periferiche master
Size: A4 Date: 1 may 2013
KICad E.I.D.A. eeschema (2012-01-19 BZR 3256)--stable
Id: 1/1



Marco Plessi

File: WMP_S300_ir_led_driver.sch

Sheet: /

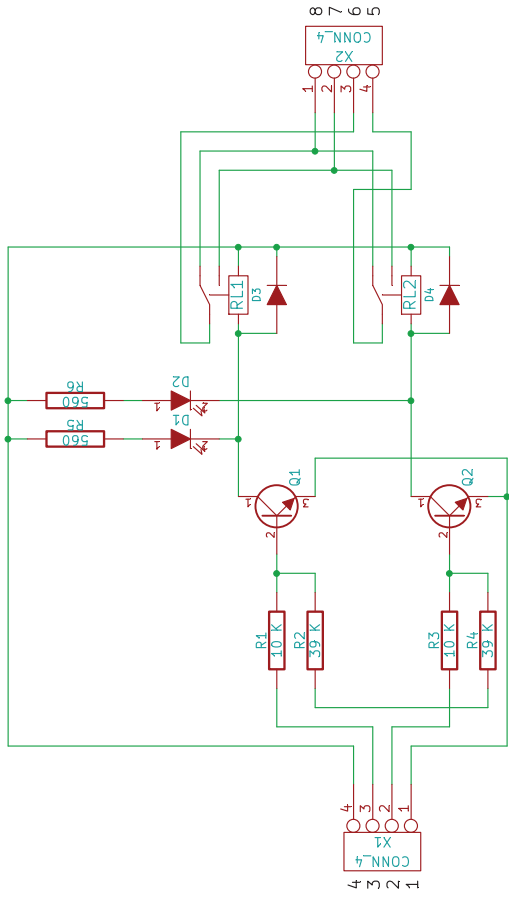
Title: S300 - Driver per led IR (trasmettitori Infrarossi)

Size: A4 Date: 26 apr 2013

KiCad E.D.A. eeschema (2012-01-19 BZR 3256) -stable

Rev: A

Id: 1/1



Marco Plessi

File: WMP_S301_ponteH_rele.sch

Sheet: /

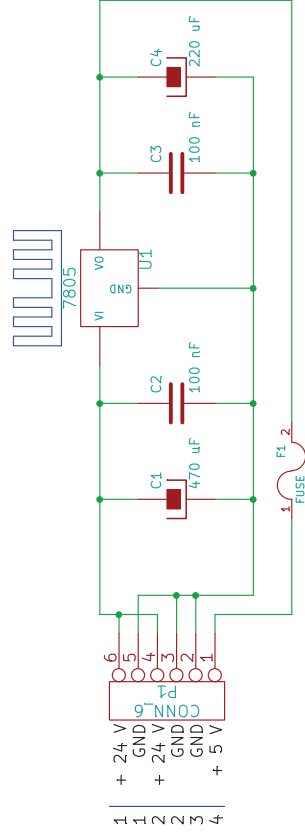
Title: S301 - ponte H relé

Size: A4 Date: 26 apr 2013

KiCad E.D.A. eeschema (2012-01-19 BZR 3256)-stable

Rev:

Id: 1/1



REGOLATORE 1 A 5V

I 24 V di ingresso devono essere già filtrati

Marco Plessi

File: WMP_S302_REG_1A5V.sch

Sheet: /

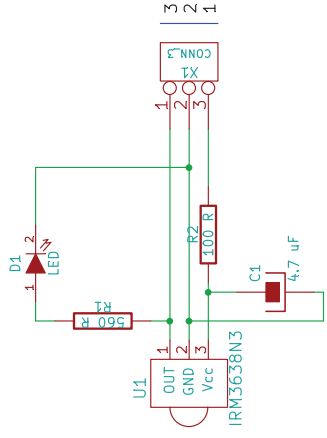
Title: S302 - regolatore di tensione 5 V @ 1 A

Size: A4 Date: 26 apr 2013

KiCad E.D.A. eeschema (2012-01-19 BZR 3256)-stable

Rev:

Id: 1/1



Marco Plessi

File: WMP_S303_RX_IR.sch

Sheet: /

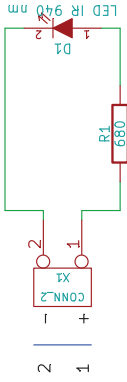
Title: S303 - Ricevitore IR 38 kHz (per fotocellule)

Size: A4 Date: 1 may 2013

KiCad E.D.A. eeschema (2012-01-19 BZR 3256) -stable

Rev:

Id: 1/1



Marco Plessi

File: WMP_S304_TX_IR.sch

Sheet: /

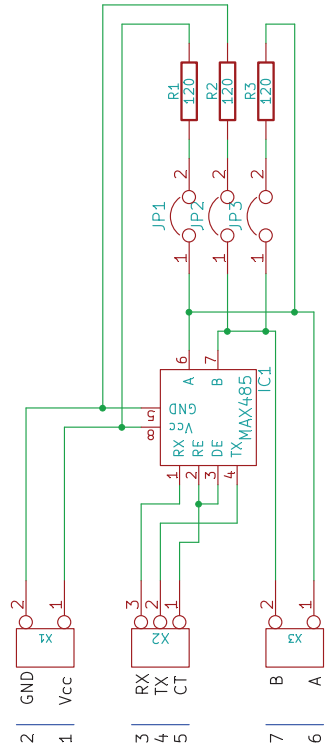
Title: S304 - Trasmettitore IR per fotocellule (LED IR 940 nm)

Size: A4 Date: 26 apr 2013

KiCad E.D.A. eeschema (2012-01-19 BZR 3256)-stable

Rev:

Id: 1/1



Marco Plessi
 File: WMP_S305_uart-rs485.sch
 Sheet: /
Title: S305 - Adattatore UART-RS485
 Size: A4 Date: 26 apr 2013
 KiCad E.D.A. eeschema (2012-01-19 BZR 3256)-stable
 Id: 1/1